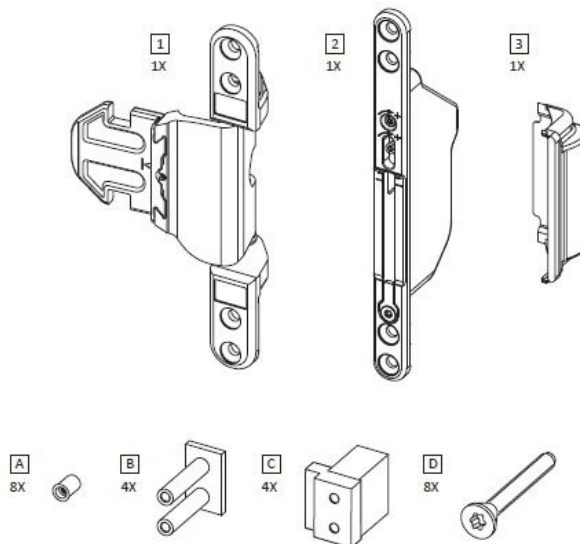


Axxent Concealed Door Hinge

Product information

For aluminium doors up to 120 kg, the two-part design with frame and sash part makes it particularly easy to hang and remove the door leaf. Optimum 3D adjustment with large adjustment settings, low level of profile milling required, and easy to clean.



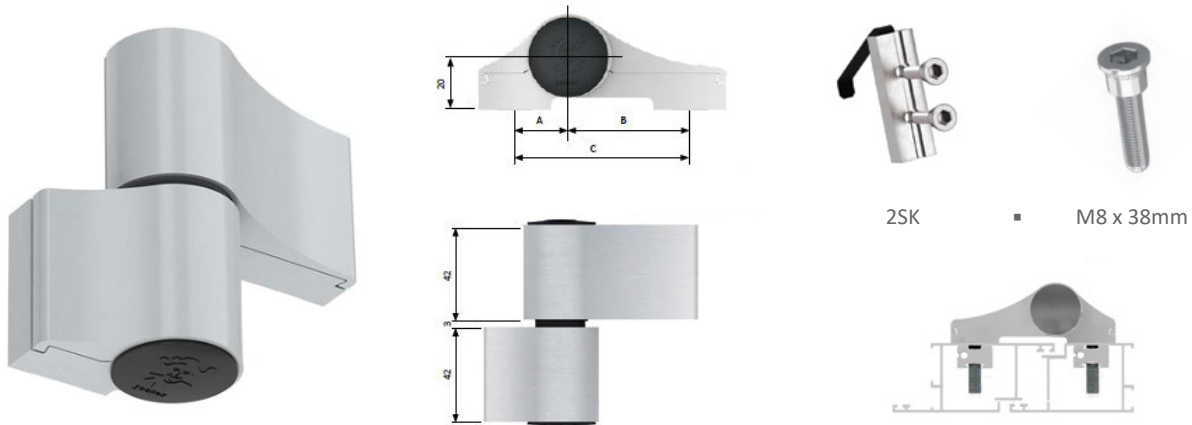
Description	Reference	Packaging unit
Frame part	1	1
Sash part	2	1
Covercap	3	1
M6 clinch nut	A	1
Screw cases	B	1
Attachment part	C	1
Countersunk screws M6 x25/ M6 x40 DIN965, T30	D	2

Note: Parts are profile specific. Contact Siegware to place orders.

ALU 2-Leaf Jocker Hinge

Product information

For aluminium doors, with easy 3D adjustment with no need to lift or take out the sash, and 4 versions of width (60mm, 67mm, 86mm and 93mm). Frame and sash part made of high quality extruded aluminium, and tested for 200,000 cycles. Available in anodized version (increased corrosion, abrasion and UV resistance), and any RAL colours. End caps made of ASA, UV resistant plastic, and is designed with a sliding plastic bearing to ensure proper operation of the hinge. Template available.



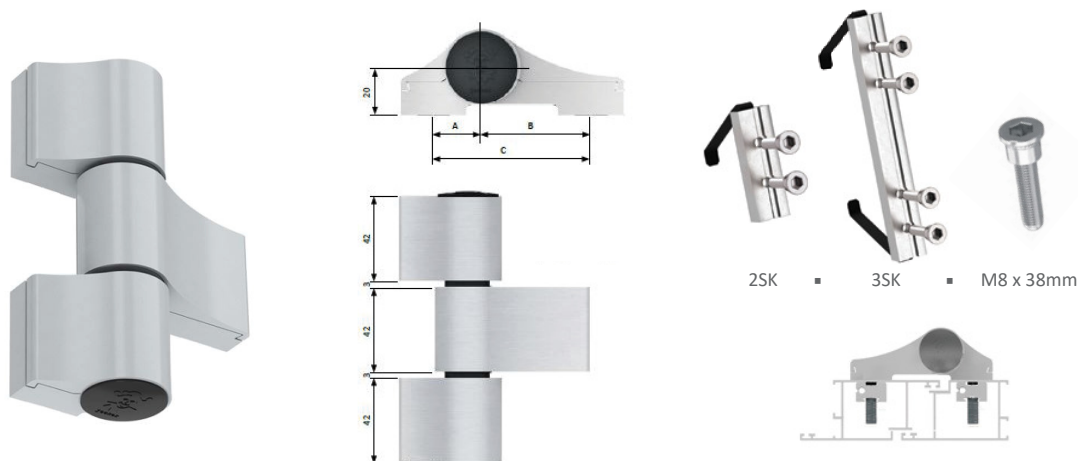
Product code	Description	Size - C (mm)	Colour	Packaging unit
90290166000	Aluminium door hinge - 2-leaf	60	9016 white	24
90290166700	Aluminium door hinge - 2-leaf	67	9016 white	24
90290168600	Aluminium door hinge - 2-leaf	86	9016 white	24
90290169300	Aluminium door hinge - 2-leaf	93	9016 white	24
90280776000	Aluminium door hinge - 2-leaf	60	8077 brown	24
90280776700	Aluminium door hinge - 2-leaf	67	8077 brown	24
90280778600	Aluminium door hinge - 2-leaf	86	8077 brown	24
90280779300	Aluminium door hinge - 2-leaf	93	8077 brown	24
9029005M6000	Aluminium door hinge - 2-leaf	60	9005 black matt	24
9029005M6700	Aluminium door hinge - 2-leaf	67	9005 black matt	24
9029005M8600	Aluminium door hinge - 2-leaf	86	9005 black matt	24
9029005M9300	Aluminium door hinge - 2-leaf	93	9005 black matt	24
90270166000	Aluminium door hinge - 2-leaf	60	7016 anthracite	24
90270166700	Aluminium door hinge - 2-leaf	67	7016 anthracite	24
90270168600	Aluminium door hinge - 2-leaf	86	7016 anthracite	24
90270169300	Aluminium door hinge - 2-leaf	93	7016 anthracite	24
902F16000	Aluminium door hinge - 2-leaf	60	F1	24
902F16700	Aluminium door hinge - 2-leaf	67	F1	24
902F18600	Aluminium door hinge - 2-leaf	86	F1	24
902F19300	Aluminium door hinge - 2-leaf	93	F1	24
902INOX6000	Aluminium door hinge - 2-leaf	60	INOX	24
902INOX6700	Aluminium door hinge - 2-leaf	67	INOX	24
902INOX8600	Aluminium door hinge - 2-leaf	86	INOX	24
902INOX9300	Aluminium door hinge - 2-leaf	93	INOX	24
90208380002D	Mounting set - x4 screws (M8x38 + x2 mounting plates)	-	-	1
40704040300	Jocker alu template	-	-	1

Note: Distance plates available for stepped profiles.

ALU 3-Leaf Jocker Hinge

Product information

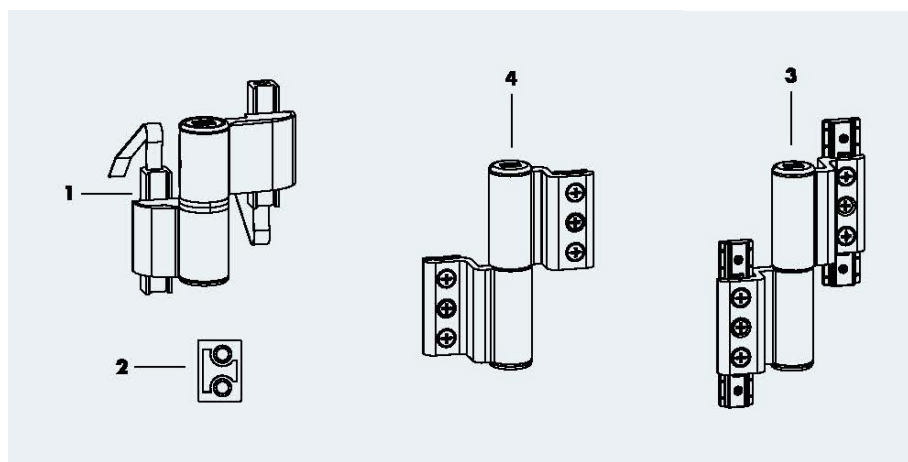
For aluminium doors, with easy 3D adjustment with no need to lift or take out the sash, and 4 versions of width (60mm, 67mm, 86mm and 93mm). Frame and sash part made of high quality extruded aluminium, and tested for 200,000 cycles. Available in anodized version (increased corrosion, abrasion and UV resistance), and any RAL colours. End caps made of ASA, UV resistant plastic, and is designed with a sliding plastic bearing to ensure proper operation of the hinge. Template available.



Product code	Description	Size - C (mm)	Colour	Packaging unit
90390166000	Aluminium door hinge - 3-leaf	60	9016 white	24
90390166700	Aluminium door hinge - 3-leaf	67	9016 white	24
90390168600	Aluminium door hinge - 3-leaf	86	9016 white	24
90390169300	Aluminium door hinge - 3-leaf	93	9016 white	24
90380776000	Aluminium door hinge - 3-leaf	60	8077 brown	24
90380776700	Aluminium door hinge - 3-leaf	67	8077 brown	24
90380778600	Aluminium door hinge - 3-leaf	86	8077 brown	24
90380779300	Aluminium door hinge - 3-leaf	93	8077 brown	24
9039005M6000	Aluminium door hinge - 3-leaf	60	9005 black matt	24
9039005M6700	Aluminium door hinge - 3-leaf	67	9005 black matt	24
9039005M8600	Aluminium door hinge - 3-leaf	86	9005 black matt	24
9039005M9300	Aluminium door hinge - 3-leaf	93	9005 black matt	24
90370166000	Aluminium door hinge - 3-leaf	60	7016 anthracite	24
90370166700	Aluminium door hinge - 3-leaf	67	7016 anthracite	24
90370168600	Aluminium door hinge - 3-leaf	86	7016 anthracite	24
90370169300	Aluminium door hinge - 3-leaf	93	7016 anthracite	24
903F16000	Aluminium door hinge - 3-leaf	60	F1	24
903F16700	Aluminium door hinge - 3-leaf	67	F1	24
903F18600	Aluminium door hinge - 3-leaf	86	F1	24
903F19300	Aluminium door hinge - 3-leaf	93	F1	24
903INOX6000	Aluminium door hinge - 3-leaf	60	INOX	24
903INOX6700	Aluminium door hinge - 3-leaf	67	INOX	24
903INOX8600	Aluminium door hinge - 3-leaf	86	INOX	24
903INOX9300	Aluminium door hinge - 3-leaf	93	INOX	24
90308380003D	Mounting set - x6 screws (M8x38 + x2 mounting plates)	-	-	1
40704040300	Jocker alu template	-	-	1

Note: Distance plates available for stepped profiles.

ALU Door Hinges



Product code	Description	Reference	Colour	Packaging unit
DCTA0002-5K7010	ALU 150-3D hinge	1	silver	1
DCTA0002-504010	ALU 150-3D hinge	1	white	1
DCTA0002-533010	ALU 150-3D hinge	1	brown	1
DCTA0002-523010	ALU 150-3D hinge	1	black	1
DCTA0002-535010	ALU 150-3D hinge	1	titan matt dark	1
DRUP0030-5K7010	ALU 150-3D packer	2	silver	1
DRUP0030-504020	ALU 150-3D packer	2	white	1
DRUP0030-533020	ALU 150-3D packer	2	brown	1
DRUP0030-523020	ALU 150-3D packer	2	black	1
DRUP0030-535020	ALU 150-3D packer	2	titan matt dark	1
MCTB0010-5K7050	ALU JC 120 hinge	3	silver	1
MCTB0010-504010	ALU JC 120 hinge	3	white	1
MCTB0010-533010	ALU JC 120 hinge	3	brown	1
MCTB0010-523010	ALU JC 120 hinge	3	black	1
MCTB0010-535050	ALU JC 120 hinge	3	titan matt dark	1
DCTA0001-5K7010	ALU YM 120 hinge	4	silver	1
DCTA0001-504010	ALU YM 120 hinge	4	white	1
DCTA0001-533010	ALU YM 120 hinge	4	brown	1
DCTA0001-523010	ALU YM 120 hinge	4	black	1
DCTA0001-535010	ALU YM 120 hinge	4	titan matt dark	1